



blabla
- CUBE -

TECHNICAL SHEET



‘ XL ,



1.



2.



3.



4.



display, Blabla-Cube

- 1 - 2 Units - S3 . E3 . I3 . A2405
- 2 - 2 Units - S3 . E1 . I3 . A2412
- 3 - 3 Units - S2 . E2 . I2 . A2406
- 4 - 2 Units - S3 . E3 . I3 . A2402

blabla XL

QUICK ASSEMBLY



3 people



45 mins/Unit *



2 Units



3 Units

DIMENSIONS

Exterior dimensions (2 units)	250 x 250 x 217 cm
Exterior dimensions (3 units)	250 x 375 x 217 cm
Interior dimensions (2 units)	238 x 242 x 206 cm / Height: 198 cm
Interior dimensions (3 units)	238 x 367 x 206 cm / Height: 198 cm
Weight (2 units)	970 kg
Weight (3 units)	1320 kg
Surface area (2 units)	6.2 m ²
Surface area (3 units)	9.3 m ²
Door dimensions	90 x 204 cm – 8 mm cushioned Silence
Front window dimensions	68 x 206 cm – 8 mm cushioned Silence
Rear window dimensions	94 x 206 cm – 8 mm cushioned Silence
Side window dimensions	114 x 210 cm – 8 mm cushioned Silence

MATERIALS

Outside covering	Compressed wood
Inside coating	100% PES fabric
Structure	Solid wood frame FSC

LOGISTICS

1 lectern:	260 x 120 x 150 cm/Module
Gross weight:	1100 kg (2 Modules) / 1650 kg (3 Modules)
Volume:	4.7 m ³ / Unit

TECHNICAL DETAILS

Lighting	2 LED Spots 800 lm/Unit
Ventilation	Acoustic 13 dB - Flow 350 m ³ /h/Unit
Connectivity	2 PC 220v / 1 USB-A, 1 USB-C, 1 RJ45 Touch switch for ventilation and lighting
Power use	0.044 kWh (2 units) – 0.065 kWh (3 units)
Warranty	3 years: Structure - 2 years: Equipment
Air change time	60 seconds

* Excluding handling

CONFIGURATION DETAILS

1 - BOOTH FORMAT

2 Units



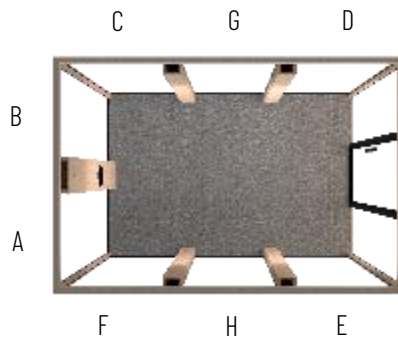
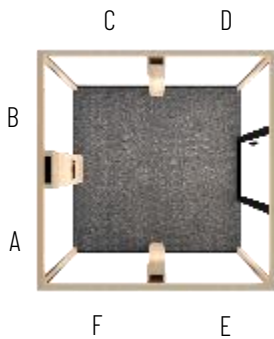
3 Units



2- BOOTH BASE AND SIDES

All of the side panels on Blabla-XL cabins can be configured with full-height glazing (standard configuration) OR **optional** full-height fabric panels.

Blabla-XL side configuration table:



Sides	Glass	Full
A		
B		
C		
D		
E		
F		
G		
H		

Side panels can be configured in Glass or Full Panels

Rear panels (A- B) : 96.5 x 205 cm

8 mm cushioned Silence OR Fabric panel (optional)

Side panels (C-D-E-F-G-H) : 109 x 205 cm

8 mm cushioned Silence OR Fabric panel (optional)

Example:



Sides	Glass	Full
A	X	
B	X	
C	X	
D	X	
E		X
F		X
G	X	
H	X	

CONFIGURATION DETAILS

3 - CONFIGURATION OPTIONS



*Screen equipment **
Even better connectivity
Screen support + dedicated 220V socket
Cable pass for greater connectivity



Occupancy signal
360-degree visibility
Red LED Spotlight



Disabled access ramp
Easy access for everyone!
90x30.5x3 cm ramp
5 degree slope



Meeting table
Optimised ergonomics
2 Unit Table: 1 foot + column fixation.
Format: 180 x 90 x 2.8 cm
3 Unit Table: 2 feet + column fixation.
Format: 275 x 90 x 2.8 cm
Height 73 cm

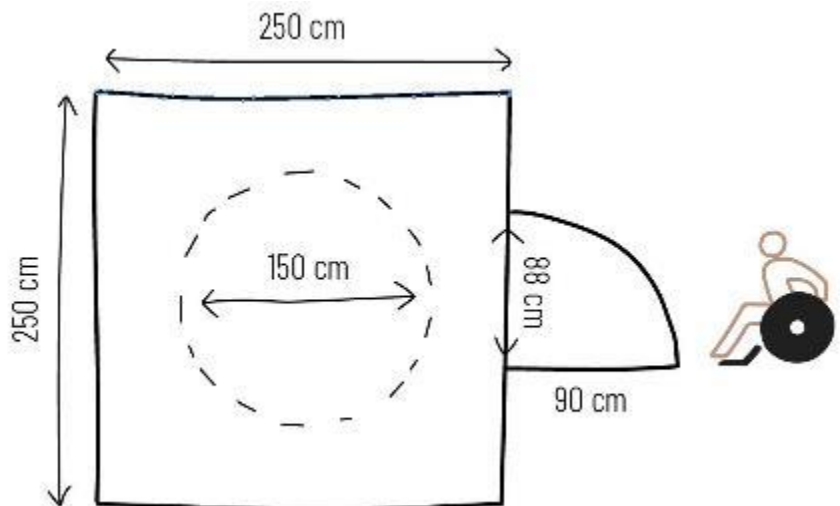


DISABLED ACCESS BOOTH

The Blabla XL booth is accessible for people with disabilities.

Disabled access standards

- ✓ Door width
- ✓ Disabled access ramp
- ✓ Manoeuvre diameter



The booth configuration options are not covered by the OFG reference.

* Screen not included.



blabla
- CUBE -

www.blabla-cube.com

contact@blabla-cube.com

ZA de la Plaine de Clairac

35 Rue Louis Blériot

26760 - BEAUMONT-LÈS-VALENCE - France

TEL : +33.04.75.78.44.44